

# PREDATOR TRAPS

Doc series trapping systems



## Current Best Practice Feral Cat Kill Trapping System 1



Department of  
Conservation  
*Te Papa Atawhai*

This Department of Conservation 'current best practice' tunnel design, must be used with Belisle Super X 220's.

This tunnel is designed to exclude non target species, guide target species and provide public safety.

The Belisle Super X 220 set in a 'chimney' tunnel has passed\* draft NAWAC (National Animal Welfare Advisory Committee) standards as a humane kill trap for feral cats. These setting instructions must be followed to meet these standards.

### Step one

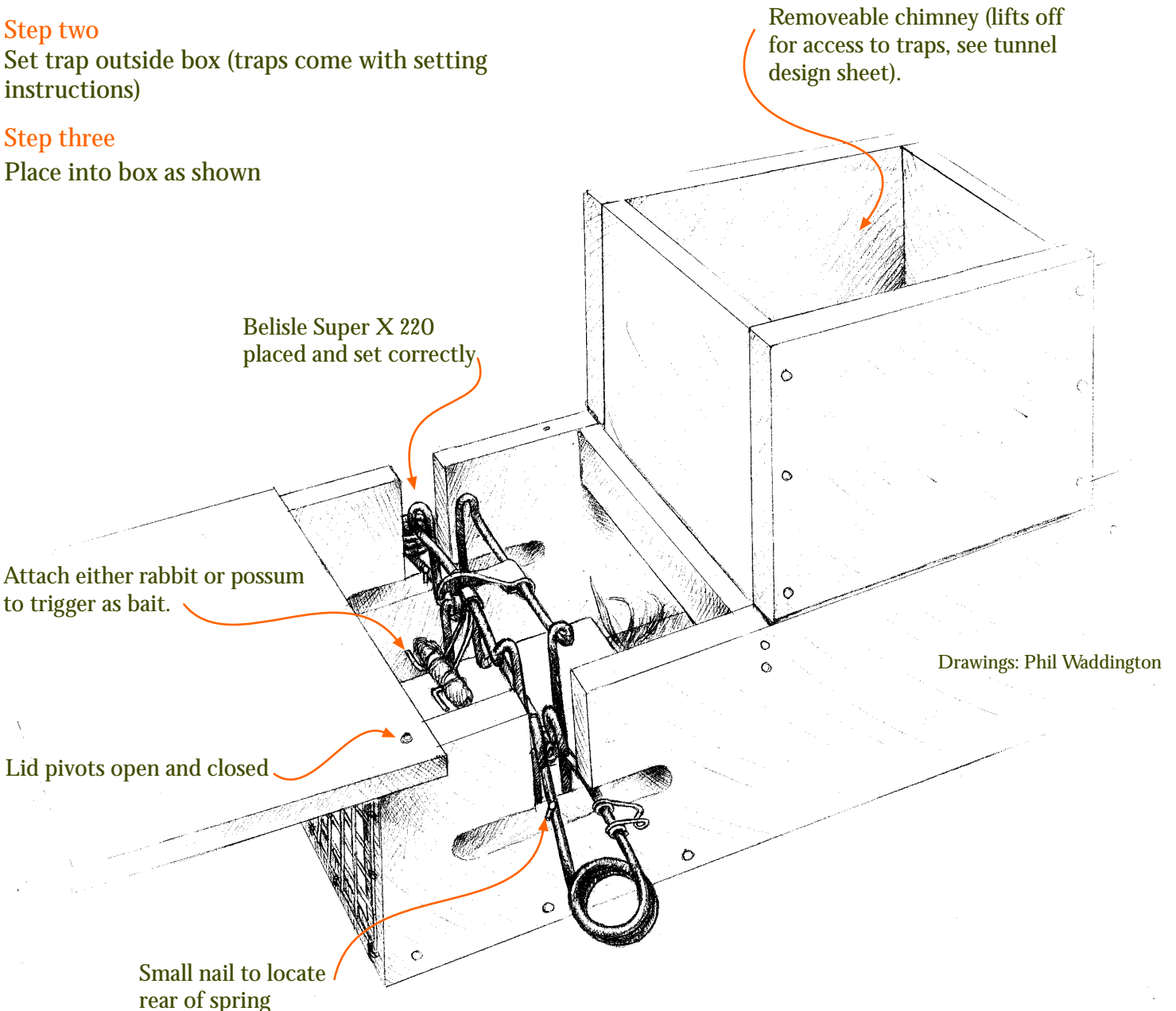
Bait trap trigger as shown in diagram

### Step two

Set trap outside box (traps come with setting instructions)

### Step three

Place into box as shown



\* Evaluation of the effectiveness of the Belisle Super X 220 for killing feral cats (wgncr-60246)



## Trap Purchase/ Information



Department of  
Conservation  
*Te Papa Atawhai*

### Trap Purchase

Belisle Super X 220's are available direct from Canada. They supply direct via the internet, Head Office can assist with the purchase.

| Trans Canada Trapline Co  
1867 Bond street.  
Box 21020  
North Bay  
Ontario P1B9N8  
Canada  
[www.trapsandfur.com](http://www.trapsandfur.com)

### Trap Tunnel Purchase

Trap tunnels can be purchased from:

| Haines Pallet Co. Ltd.  
T| 04 568 6898      F| 04 5686480  
E| [haines.pallets@paradise.net.nz](mailto:haines.pallets@paradise.net.nz)  
A| 111 Hutt Park Road, Seaview.

### Setting Tool Purchase

| Robert Rose Ltd.  
T| 021 711 653  
E| [robbie\\_@xtra.co.nz](mailto:robbie_@xtra.co.nz)

### Advice and contacts

Predator control advice, trap development contacts and feedback.

| Alastair Fairweather  
Department of Conservation  
Animal and Plant Pests  
Research Development & Improvement  
T| 07 8580013      F| 07 858 0001  
E| [afairweather@doc.govt.nz](mailto:afairweather@doc.govt.nz)  
A| 1st Floor  
Vero House  
127 Alexandra Street,  
PO Box 112  
Hamilton

| Darren Peters  
Department of Conservation  
National Predator Control  
Research Development & Improvement  
T| 04 471 3256      F| 04 471 3279  
E| [dpeters@doc.govt.nz](mailto:dpeters@doc.govt.nz)  
A| Level 3  
65 Victoria Street  
P.O. Box 10-420  
Wellington.

# PREDATOR TRAPS

Doc series trapping systems

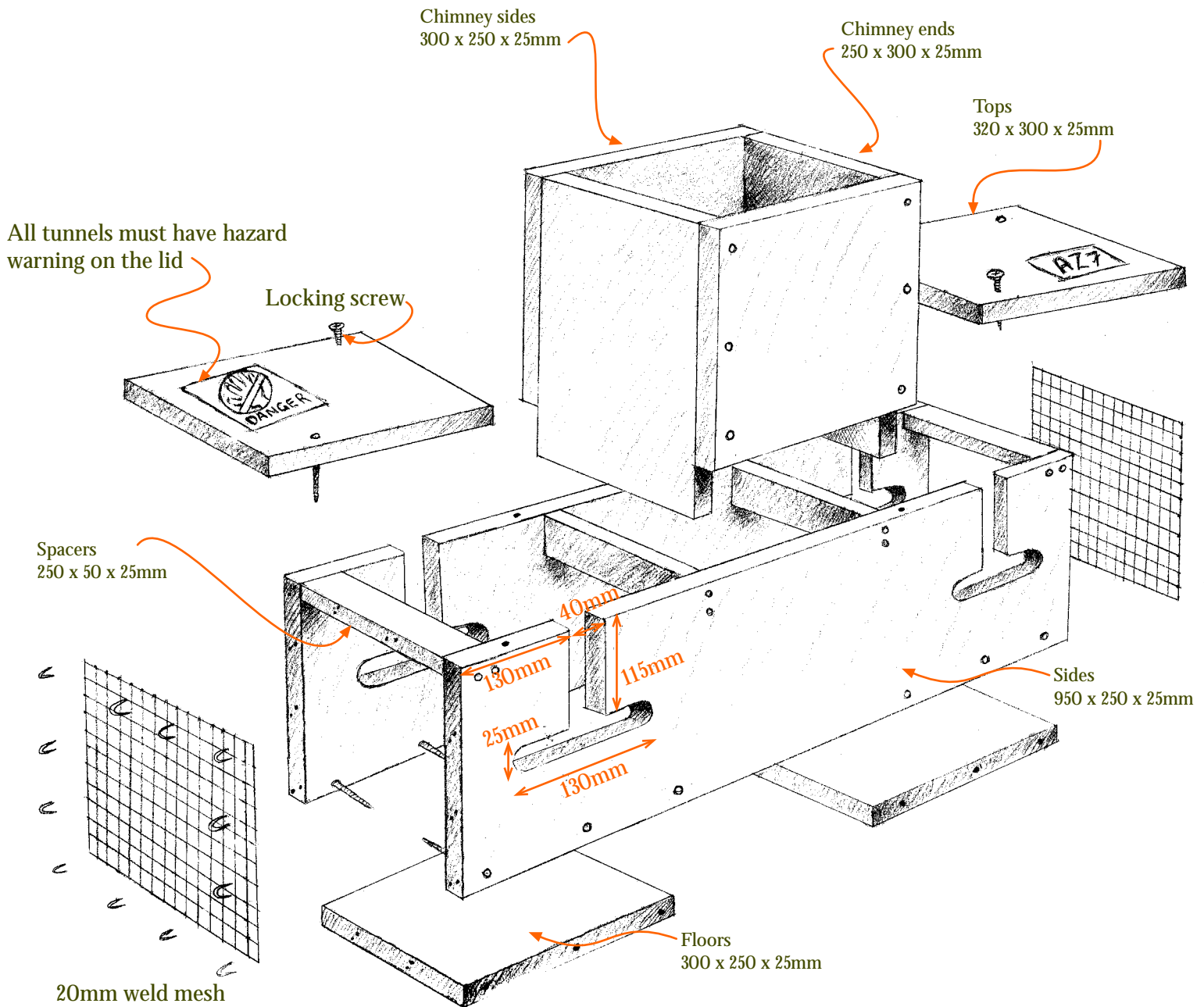


## Tunnel Design

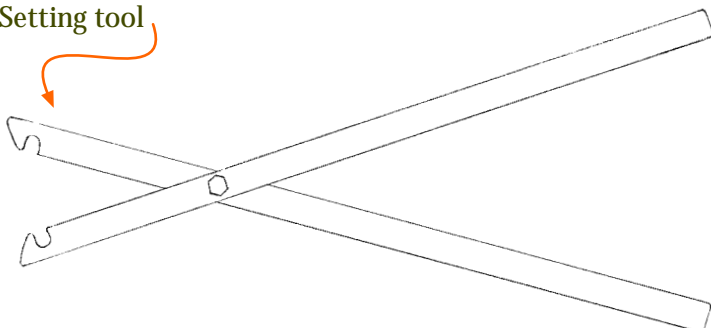


This Department of Conservation current best practice 'chimney' tunnel design, must be used with Belisle Super X 220 traps. This tunnel is designed to exclude non target species, guide target species and provide public safety.

Department of Conservation  
*Te Papa Atawhai*



Setting tool



Drawings: Phil Waddington  
Original design: Boundary Stream MI