

PREDATOR TRAPS

Doc series trapping systems



Current Best Practice Rat Kill Trapping



Department of Conservation
Te Papa Atawhai

These Department of Conservation 'current best practice' tunnel designs, must be used with Victor Professional traps.

These tunnels are designed to exclude non target species, guide target species and provide public safety.

Victor Professional rat traps set in a timber or corflute tunnel have passed NAWAC (National Animal Welfare Advisory Committee) standards as humane kill traps for rats. These setting instructions must be followed to meet these standards.

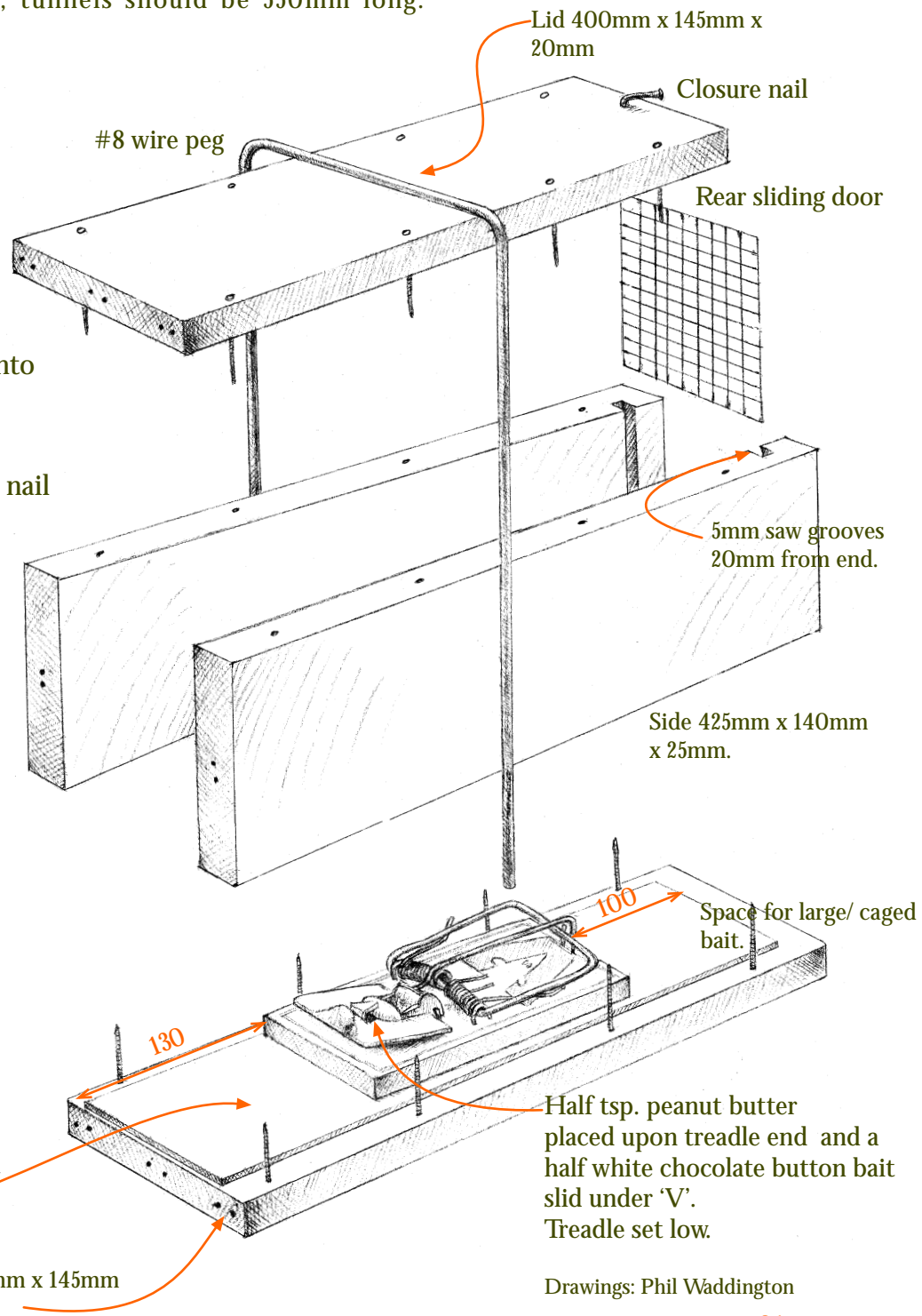
Outlined below are two systems using the Victor Professional Rat traps. In areas where Weka are present, tunnels should be 550mm long.

All wood tunnel

Step one
Bait and set trap.

Step two
Carefully slide trap and PVC floor into tunnel.

Step three
Slide rear door into place and swivel nail closed.



Entrance.
10mm weld mesh.
(hole 40mm x 40mm)

1.5 mm Rigid PVC, is stapled to the base of the Victor Professional rat trap. This system allows for easy cleaning.

Base 415mm x 145mm
x 20mm

Drawings: Phil Waddington

PREDATOR TRAPS

Doc series trapping systems



Current Best Practice
Rat Kill Trapping



Department of
Conservation
Te Papa Atawhai

Coreflute tunnel with wood floor

Step one

Bait and set trap.

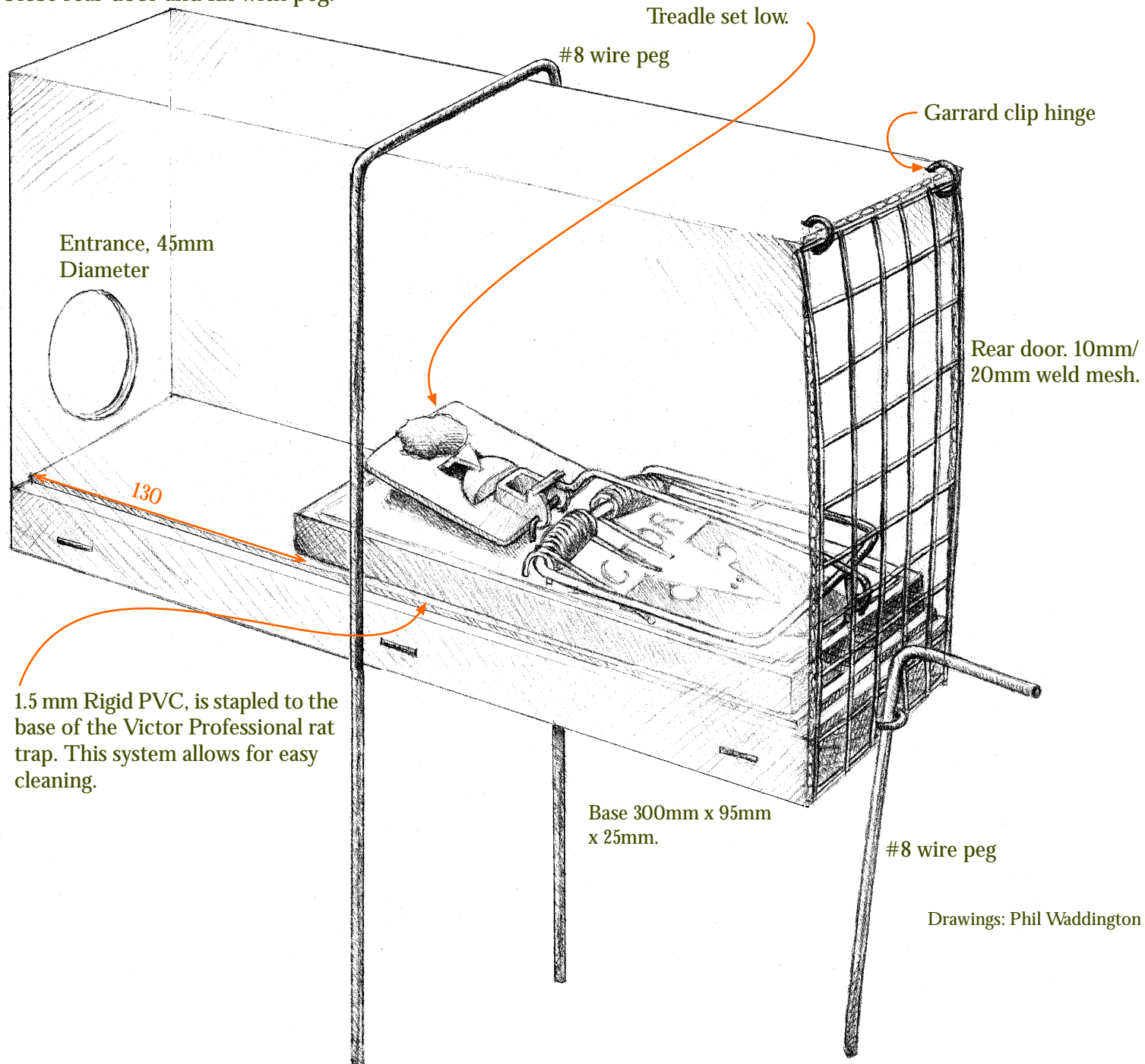
Step two

Carefully slide trap and PVC floor into tunnel.

Step three

Close rear door and fix with peg.

Half tsp. peanut butter
placed upon treadle end and a
half white chocolate button
slid under 'V'.
Treadle set low.



Drawings: Phil Waddington



Trap Purchase/ Information



Department of
Conservation
Te Papa Atawhai

Trap Purchase

Victor Professional rat traps are available in New Zealand from:

MS Woodcraft Ltd.
128 Marine Pde Mt Maunganui,
Tauranga
T| 07 575 5920 F| 07 574 8910

Pest Management Services
T| 0800 111 nopest F| 04 293 1456
E| general@nopest.co.nz
A| P.O. Box 121 Waikanae.
Kapiti 6454, N.Z

Wood Tunnel Purchase

Wood tunnels can be purchased from:

Haines Pallet Co. Ltd.
T| 04 568 6898 F| 04 5686480
E| haines.pallets@paradise.net.nz
A| 111 Hutt Park Road, Seaview.

Coreflute Tunnel Purchase

Corflute trap tunnels can be purchased from:
Wood base not provided.

Clearview Packaging Ltd.
T| 04 5890797 F| 04 589 0930
E| cartons@clearviewpkg.co.nz
A| 2 Victoria Street, Alicetown
Lower Hutt.
P.O. Box 38011
Wellington Mail Centre.

Advice and contacts

Predator control advice, trap development contacts and feedback.

Alastair Fairweather
Department of Conservation
Animal and Plant Pests
Research Development & Improvement
T| 07 8580013 F| 07 858 0001
E| afairweather@doc.govt.nz
A| 1st Floor
Vero House
127 Alexandra Street,
PO Box 112
Hamilton

Darren Peters
Department of Conservation
National Predator Control
Research Development & Improvement
T| 04 471 3256 F| 04 471 3279
E| dpeters@doc.govt.nz
A| P.O. Box 10-420
65 Victoria Street
Wellington.